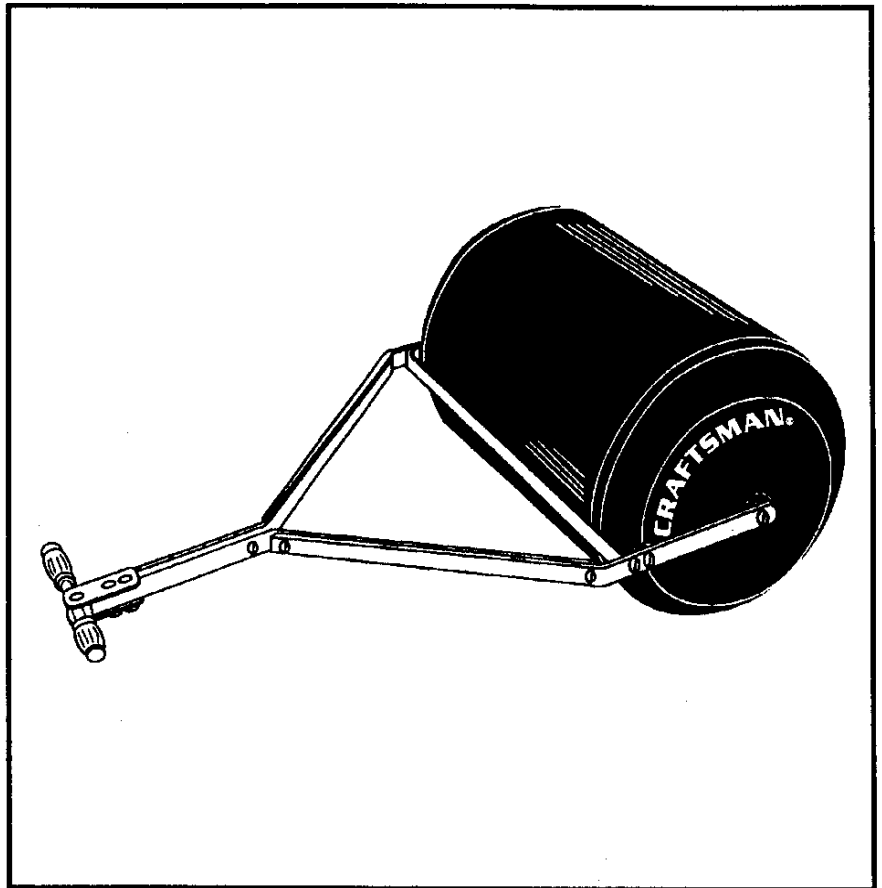


CRAFTSMAN®

OWNER'S
MANUAL

MODEL NO.
757 242830

Caution:
Read Rules for
Safe Operation
and Instructions
Carefully



CRAFTSMAN®

**24" PUSH/PULL
LAWN ROLLER**

FOR USE WITH RIDERS AND
LAWN/ GARDEN TRACTORS

- **Assembly**
- **Installation**
- **Operation**
- **Repair Parts**

OPERATION

CAUTION

**DO NOT OVERLOAD YOUR TRACTOR/
RIDER. FULLY LOADED ROLLER WEIGHS
270 POUNDS. REFER TO TRACTOR
MANUAL TO DETERMINE PROPER
TOWING CAPACITY OF YOUR
TRACTOR/RIDER.**

- * The model and serial numbers will be found on a decal attached to the front of the Roller.
- * You should record both serial number and date of purchase and keep it in a safe place for future reference.

HOW TO ORDER REPAIR PARTS

The model number will be found on the model plate attached to the right hand side of the ball assembly. Always mention the model number when requesting service or repair parts for your sleeve hitch.

All parts listed herein may be ordered from any SEARS ROEBUCK SERVICE CENTER or most Sears retail stores.

WHEN ORDERING REPAIR PARTS, ALWAYS GIVE THE FOLLOWING INFORMATION:

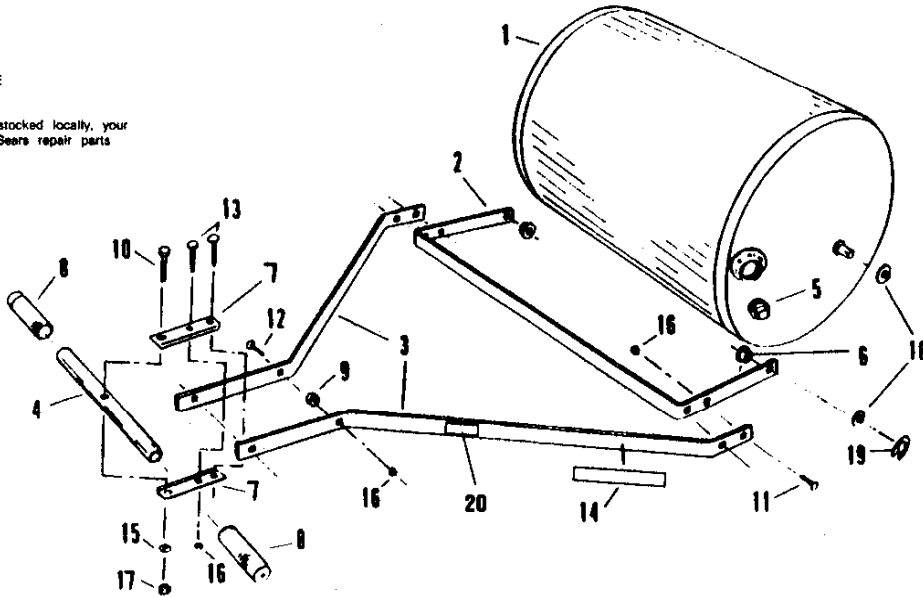
- THE PART NUMBER
- THE PART DESCRIPTION
- THE MODEL NUMBER
- THE NAME OF MERCHANDISE

If the parts you need are not stocked locally, your order will be transmitted to a Sears repair parts distribution center for handling.

MODEL NUMBER: 757242830

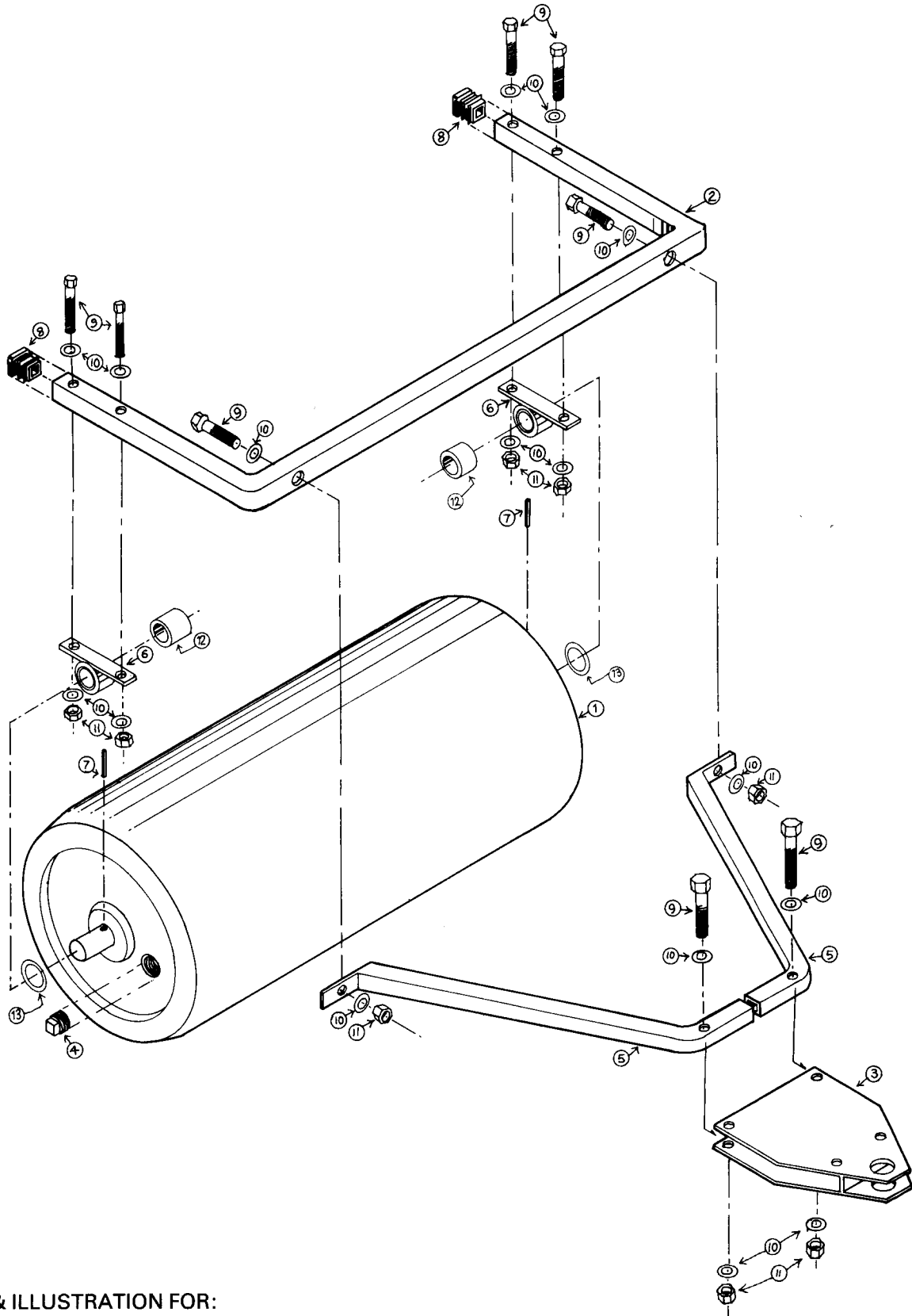
SERIAL NUMBER: _____

DATE OF PURCHASE: _____



PARTS LIST

REF. NO.	PART NO.	DESCRIPTION	QTY.	REF. NO.	PART NO.	DESCRIPTION	QTY.
1	B-5121-SR	Roller Assembly	1	11	10M1016P	Carriage Bolt, 5/16" X 1"	4
2	B-5125-10	Scraper Frame Bar	1	12	10M1020P	Carriage Bolt, 5/16" X 1 1/4"	2
3	B-3554-10	Frame Extension Bar	2	13	10M1032P	Carriage Bolt, 5/16" x 2"	2
4	B-3556-10	Handle Tube	1	14	B-4836	Logo Decal	1
5	B-5121-PL	Plug	1	15	40M1600P	Lock Washer, 1/2"	1
6	R-719	Nylon Bearing	2	16	B-4786	Nylon Insert Nut, 5/16"	8
7	R-892-10	Clevis	2	17	30M1600P	Hex Nut, 1/2"	1
8	B-2579	Vinyl Grip	2	18	45M2121P	Flat Washer, 5/8"	4
9	R-1141-01	Spacer	1	19	F-577	"E" Ring, 5/8"	2
10	1M1636P	Hex Bolt, 1/2" x 2 1/4"	1	20	B-5510	Serial Number Label	1



PARTS LIST & ILLUSTRATION FOR:
925.

36" ROLLER.

Illus. No.	NEW Part No.	Description	No. off
1	1866	Roller.	1
2	1867	Roller Frame	1
3	1868	Hitch Bracket	1
4	1869	Plug. 3/4" B.S.P. Thread	1
5	1870	Hitch Frame	2
6	1871	Axle Bush Housing	2
7	1553	Roll Pin. 1/8" DIA. x 1 1/2" LG.	2
8	1289	Plastic Plug	2

Illus. No.	NEW Part No.	Description	No. off
9	1266	Bolt. 5/16" UNF. x 1 3/4" LG. HEX. HD.	8
10	1105	Washer. 5/16" DIA. ORD. Plain	16
11	1273	Nut. 5/16" UNF. Self Lock HEX.	8
12	1173	Bush. Bronze oil impreg. 3/4" I/D x 7/8" O/D x 1 1/4" LG. Plain	2
13	1099	Washer. 3/4" I/D x 1 1/4" O/D	2